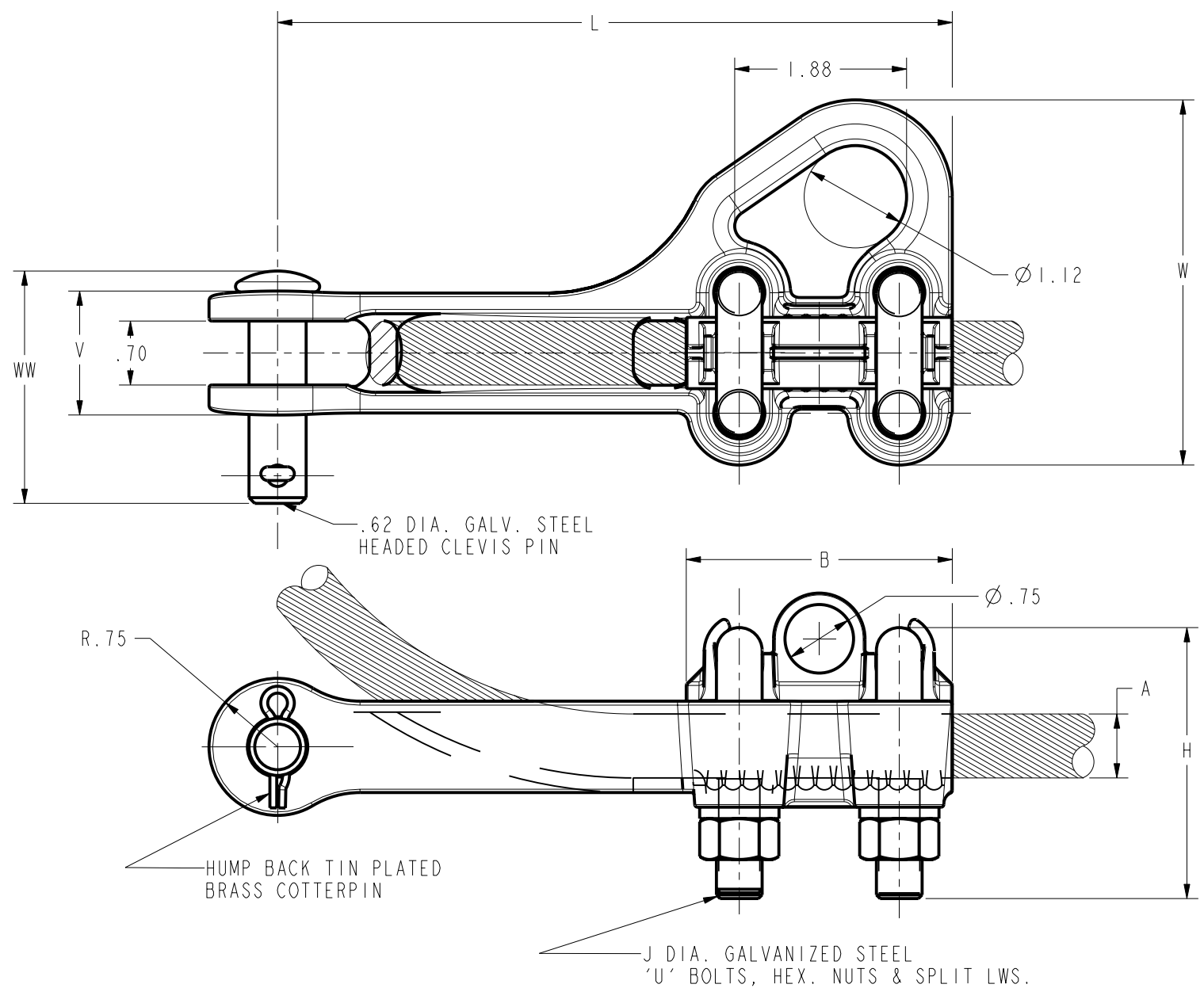


DRAWING NO.
SD046598-01

'A' COPPER CABLE RANGE	CAT. NO.	B	H	J	L	V	W	WW	REF. DWG.
#6 STR (.184 DIA.) TO 4/0 STR. (.528 DIA.)	CUW28E	3.00	2.00	3/8"-16	7.06	1.32	3.68	2.48	LD55469
4/0 STR. (.528 DIA.) TO 500 Kcmil (.813 DIA.)	CUW34E	2.91	2.98	1/2"-13	7.38	1.32	3.91	2.22	FD047202
500 Kcmil (.813 DIA.) TO 1000 Kcmil (1.152)	CUW44E	3.25	3.30	1/2"-13	8.75	1.46	4.53	2.22	FD47200

REV	DATE	DESCRIPTION	ECO	BY	C'H'K.
A	7/17/2008 12:00:00 AM	REDRAWN INTO PRO-E	15617	DG	JM



NOTES:
MATERIAL: CAST COPPER ALLOY
FINISH: BRIGHT DIPPED.

TO ORDER BURNDY® PRODUCTS CALL
UNITED STATES:
1-800-346-4175 (LONDONDERRY, NH)
CANADA:
1-800-361-6975 (QUEBEC)
1-800-387-6487 (ALL OTHER PROVINCES)
FOR PRODUCT INFO: <http://www.burndy.com>

STRAIN CLAMP	
ITEM NO: NA	
CAT. NO: CUW-E (SEE TABLE)	
DRAWN BY: J.A.A 07/13/1960	
CHECKER: M.J.M 07/19/1960	
DSN APPVL: --	
MFG APPVL: --	
QA APPVL: --	
MKT APPVL: --	
PROD FAM: --	SCALE: 1:2
PROJECT #: --	DRAWING NO
DOCUMENT TYPE: Sales	SD046598-01
REL LEVEL: Released	SHEET 1 OF 1

REV: PE0200

A

A

D

D

C

C

B

B

A

A

4

3

2

1